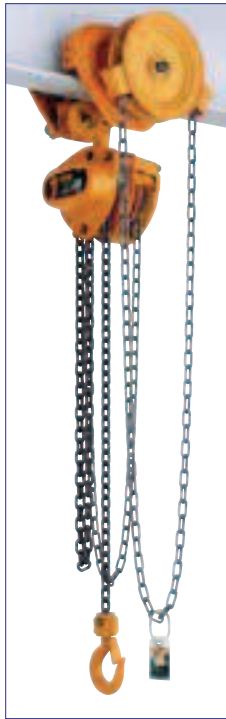
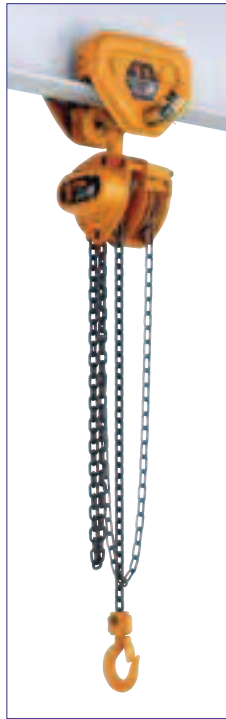
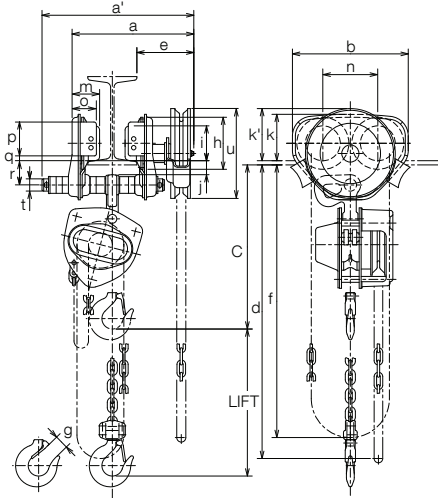


# TROLLEY-CONNECTED HOIST



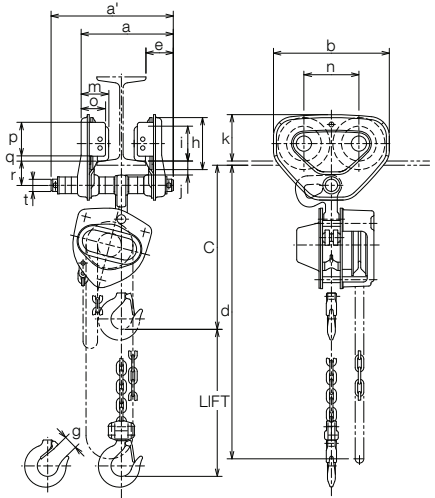
## GEARED TYPE



## PLAIN TYPE



Top Hook mounted on Suspender



## SPECIFICATIONS

Rated Load (W.L.L.)(t)	Code	Std. Lift (m)	Hand Chain Folded Length (m)	Load Chain Dia. x Chain Fall (mm)	Test Load (t)	Mass (Net Weight) (kg)	Mass [weight] in kg for Additional One Meter of Lift (kg)
0.5	CBSG(CBSP)005	2.5	2.5	5.0x1	0.75	23(15)	2.4(1.5)
1	CBSG(CBSP)010	2.5	2.5	6.3x1	1.5	24(19)	2.7(1.8)
1.5	CBSG(CBSP)015	2.5	2.5	7.1x1	2.4	32(28)	3.0(2.1)
2	CBSG(CBSP)020	3.0	3.0	8.0x1	3	37(33)	3.3(2.3)
2.5	CBSG(CBSP)025	3.0	3.0	9.0x1	3.8	52(48)	3.6(2.7)
3	CBSG(CBSP)030	3.0	3.0	7.1x2	4.8	48(44)	4.1(3.2)
5	CBSG(CBSP)050	3.0	3.5	9.0x2	7.5	92(87)	5.4(4.4)
7.5	CBSG075	3.5	4.0	9.0x3	9.5	175	7.1
10	CBSG100	3.5	4.0	9.0x4	12.5	185	8.8
15	CBSG150	3.5	4.5	9.0x6	20	395	13.3
20	CBSG200	3.5	4.5	9.0x8	25	495	17.7

- CBSG and CBSP mean the CB Series connected with the TS Series geared trolley and plain trolley respectively.
- Figures in parentheses show the data for the plain trolley. Other data are the same for both the plain and geared trolleys.
- The data for the standard I-beam width and the minimum radius for a curve is the same data as that shown on page 9.
- 15 ton-and-over capacity trolleys have 8-wheel construction.
- 30 ton-and-over capacity versions are available by request.

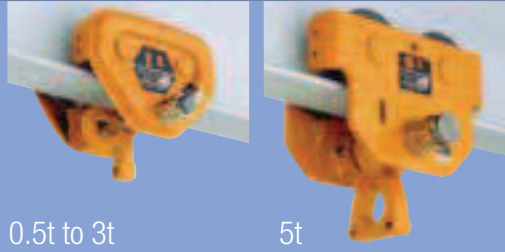
## DIMENSIONS (mm)

Rated Load (W.L.L.)(t)	Head room :C	a (Max)	a'	b	d	e	f	g	h	i	j	k	k'	m	n	o	p	q	r	t	u
0.5	305(295)	275(173)	309(204)	236(182)	2500	116(46)	2200	27	106(82)	71(60)	28(19)	95(76)	106	56(47.5)	112(84)	50(42)	69(54)	10	50(38)	25(22)	183
1	305	275(215)	309(249)	236	2500	116(56)	2200	29	106	71	28	95	106	56	112	50	69	10	50	25	183
1.5	365	349(218)	385(300)	280	2500	154(69)	2200	34	127	85	34	112	109	71	131	63	83	10	62	32	183
2	380	349(218)	385(300)	280	3000	154(69)	2700	36	127	85	34	112	109	71	131	63	83	10	62	32	183
2.5	435	359(280)	398(320)	324	3000	157(79)	2700	40	148	100	36	134	114	80	152	74	102	10	68	36	183
3	535	359(280)	398(320)	324	3100	157(79)	2700	42.5	148	100	36	134	114	80	152	74	102	10	68	36	183
5	660	377(273)	401(297)	400	3600	156(53)	3200	46.5	169	118	47	144	131	81	178	70	104	10	88	54	183
7.5	870	443	595	480	4300	182	3700	72.5	185	155	53	170	165	120	196.5	104	89	8	153	70	214
10	860	443	595	480	4300	182	3700	72.5	185	155	53	170	165	120	196.5	104	89	8	153	70	214
15	1150	454	677	1000	4800	182	4200	80	185	155	62	170	165	120	716.5	104	89	8	203	80	214
20	1310	454	677	1000	4900	182	4200	81	185	155	62	170	165	120	716.5	104	89	8	203	80	214

- Figures in ( ) are for PLAIN TYPE. Others are same as GEARED TYPE.

# KITO UNIVERSAL TROLLEYS TS SERIES

## PLAIN TYPE



•Shape of the Suspender for 3t is similar to the shape of the Suspender for 5t.

## GEARED TYPE



•Shape of the Suspender for 3t is similar to the shape of the Suspender for 5t.

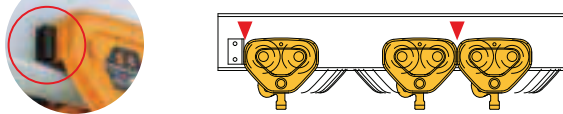
## SMOOTH AND RELIABLE OPERATION

### Bumpers & Buffers

KITO's TS Series Trolleys have bumpers, which hold trolley surely on the beam and guard against damage to a trolley and wheels arising from a collision with the stopper or between two trolleys. Buffers are available as option to install on the bumpers. Also, extended arms are available as option to install on the bumpers to help prevent damage to a hoist from collision between the hoists suspended from trolleys on the same beam.

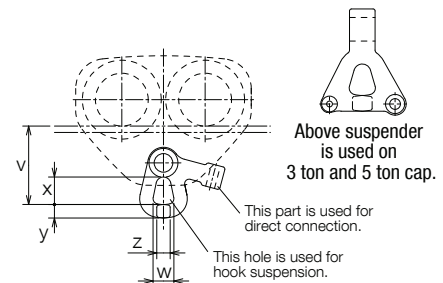
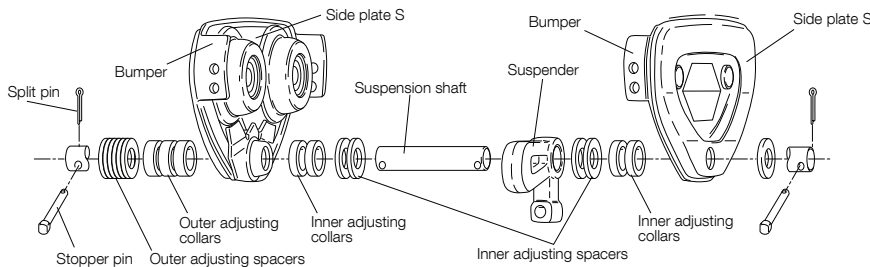


Buffer is prepared as option.



### Accommodates a Wide Selection of Beam Widths

Trolleys are adjustable for various widths of both tapered and flat flanges by changing the adjustable spacers. They can also fit on beams of up to 305mm-flange width by replacing the suspension shaft, spacers and associated parts.



### Light and Compact Models

KITO's years of trolley design experience make it possible to produce these light and compact trolleys.

### Improved Track Wheel Durability

KITO's unique press process and heat treatment ensure high track wheel strength, leading to improved reliability and performance.

### Specially Contoured Wheels Provide Security

This trolley maintains secure contact between wheels and flange surfaces even under highly variable load weights thanks to the carefully designed contours of the steel trolley wheels.

### Pivot Mounted Side Plates Ensure Even Weight Distribution

Both side plates are pivot mounted so that trolleys can move freely at adequate angles to the flange surface in spite of welded joints that might otherwise cause uneven weight distribution on the four wheels.

### Ball Bearing Wheels Offer High Performance

High-grade, zero-lubrication sealed ball bearings are used on all wheels for smooth and reliable operation.

## SPECIFICATIONS

Rated Load (W.L.L.)(t)	Code		Flange Width Adjustability (mm)			Min. Radius for Curve (mm)	Mass (Net Weight) (kg)		Hand Chain Folded Length (m)	Dimensions (mm)				
	Plain Trolley	Geared Trolley	Standard	Option			TSP	TSG		v	w	x	y	z
				W20*	W30*									
0.5	TSP005	TSG005	50 to 102 (58 to 127)	103 to 203 (128 to 203)	204 to 305	1100 (1300)	4.5	12	2.5	93 (106)	26 (28)	33 (37)	14 (18)	14 (18)
1	TSP010	TSG010	58 to 127	128 to 203	204 to 305	1300	8.0	12	2.5	106	28	37	18	18
1.5	TSP015	TSG015	82 to 153	—	154 to 305	1500	14	18	2.5	129	32	40	22	22
2	TSP020	TSG020	82 to 153	—	154 to 305	1500	14	19	3.0	129	32	40	22	22
2.5	TSP025	TSG025	82 to 153	—	154 to 305	1700	23	27	3.0	144	36	44	27	25
3	TSP030	TSG030	82 to 153	—	154 to 305	1700	23	27	3.0	169	40	48	24	30
5	TSP050	TSG050	100 to 178	—	179 to 305	2300	50	56	3.5	228	60	70	33	36
7.5	—	TSG075	150 to 220	—	221 to 305	3000	—	112	4.0	connection with CB Series is hook suspension type for 7.5 ton and over cap. as standard.				
10	—	TSG100	150 to 220	—	221 to 305	3000	—	112	4.0					
15	—	TSG150	150 to 220	—	221 to 305	∞	—	265	4.5					
20	—	TSG200	150 to 220	—	221 to 305	∞	—	265	4.5					

\*Figures in ( ) are for TSG005. \*: W20 and W30 mean 203 and 305mm flange width adjustability as option.

•In case of 7.5t and over capacity, trolley wheels for tapered flange are standard. Wheels for flat flanges are available as option. If you prefer wheels for flat flanges, please specify it in advance.

•In case of only straight I-beam, 0.5ton plain trolley can be used on 57mm and less width beam and 1ton plain trolley and geared trolley can be used on 73mm and less width beam and 2.5 & 3ton plain and geared trolley can be used on 89mm and less.

# ER2 Electric Chain Hoist Lineup

Type	Lifting speed		Capacity ( t )														
			125kg	250kg	500kg	1	1.6	2	2.5	3.2	5	Large capacity					
													7.5	10	15	20	
Hook suspension ER2	Single	Low			●	●		●									
		Standard		●	●	●	●	●	●	●	●		●	●	●		
		High	●	●													
	Dual inverter	Low			●	●		●									
		Standard		●	●	●	●	●	●	●	●						
		High	●	●													
Trolley suspension Motorized trolley ER2M Plain Trolley ER2SP (up to 5t) Geared Trolley ER2SG	Single	Low			●	●		●						●			
		Standard		●	●	●	●	●	●	●	●	●	●	●	●	●	
		High	●	●													
	Dual inverter	Low			●	●		●									
		Standard		●	●	●	●	●	●	●	●						
		High	●	●													

KITO will not be held liable for any malfunction, lack of performance or accident if the product is being used in conjunction with any other equipment. If the product is to be used for unintended purposes, please confirm with your dealer in advance.

## Trolleys

### Motorized Trolley MR2

Bearing built-in side rollers provide smooth running through the minimum radius curve and excellent traversing performance with preventive derailment.

#### Features

- Simple gear box construction
- Improved balance due to a lighter weight geared motor
- Speed variations
  - Single Low Speed
  - Single Standard Speed
  - Dual Speed

### Plain & Geared Trolley

- Designed to provide smooth and easy traversing.
- Lugs provide protection from striking damage against rail stoppers, and from falling off the rail.
- Wheel flanges also prevent derailment.

### Plain Trolley TSP

Designed for light load manual applications (125kg to 5t)

### Geared Trolley TSG

Designed for precise positioning and traversing by using hand chain (125kg to 20t)

Motorized Trolley MR2



125kg to 20t

Plain Trolley TSP



125kg to 3t



5t

Geared Trolley TSG



125kg to 3t



5t to 20t