

Compact, lightweight, and powerful chain hoists.

# KITO CHAIN HOIST **Cx**

NEW!

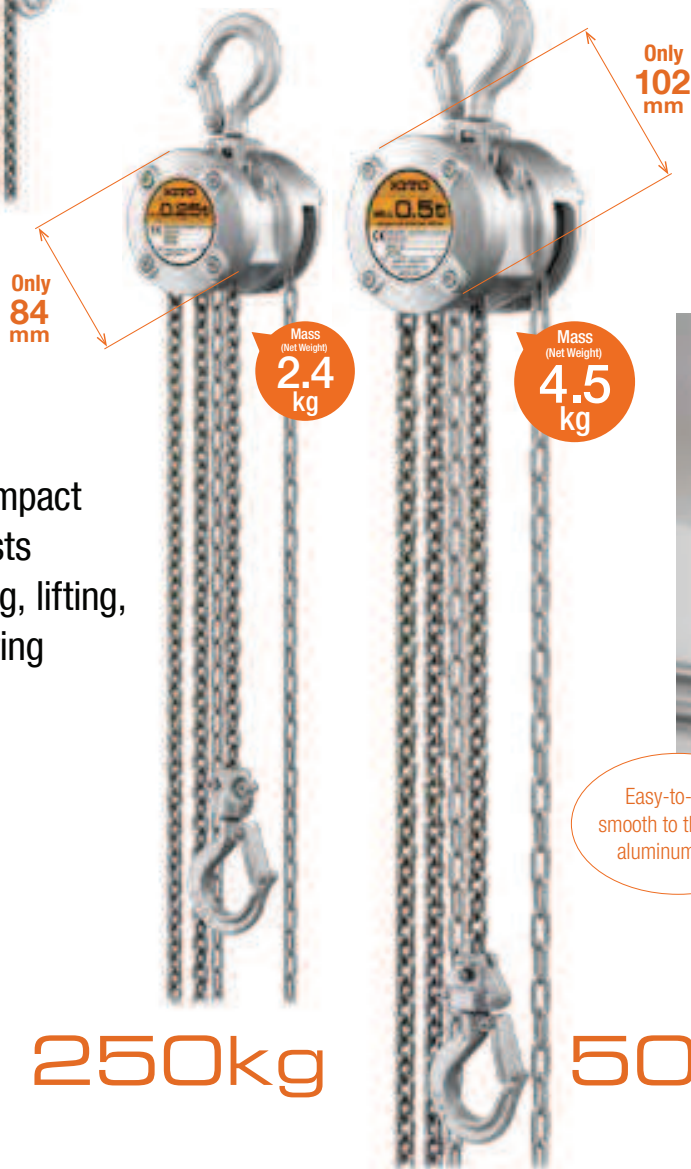


# Compact, Light weight and Simple design!

KITO CX series chain hoists are available in two types of rated load: 250 kg and 500 kg.  
High portability to carry everywhere.  
Easy and smooth operation with small hand-pull force.  
Wide internal diameter of hooks expands the range of applications.



NEW!



Highly compact chain hoists for slinging, lifting, and lowering

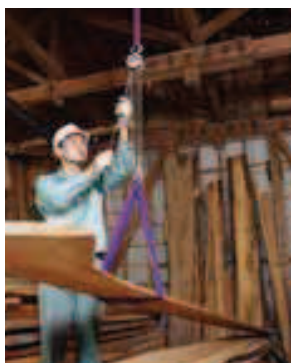
Easy installation in higher positions!  
Wide internal diameter of hook for easier hookups!



Easy-to-hold, smooth to the touch aluminum body

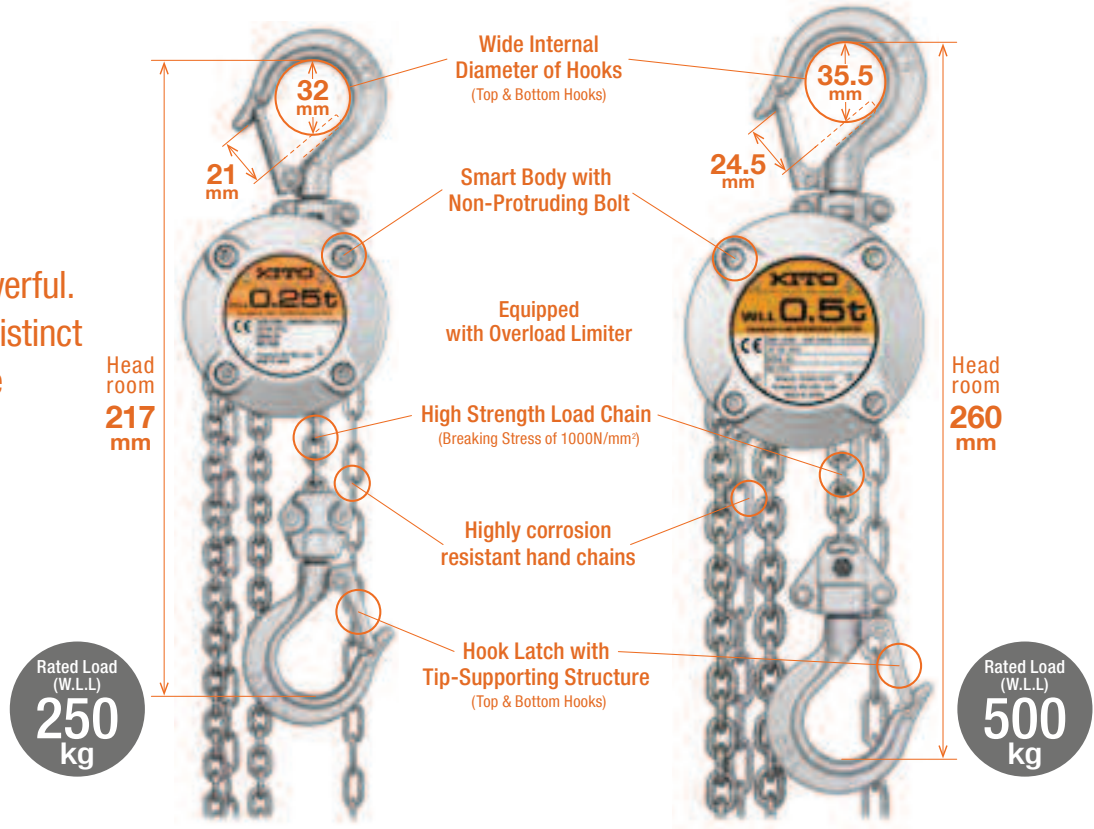
250kg

500kg



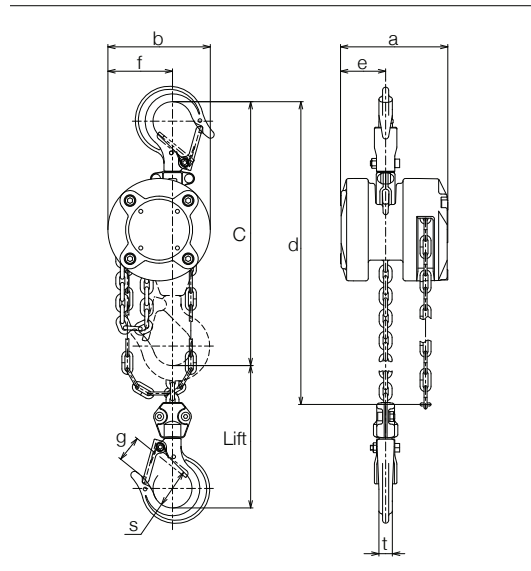


Compact but extremely powerful. Discover the distinct features of the CX series!



### Specifications and Dimensions

|  | (kg) [t]  | 250 [0.25] | 500 [0.5] |
|--|-----------|------------|-----------|
| Rated load (W.L.L.)                            |           | 250 [0.25] | 500 [0.5] |
| Product Code                                   |           | CX003      | CX005     |
| Standard lift                                  | (m)       | 2.5        | 2.5       |
| Standard Length of Hand Chain (Folded)         | (m)       | 2          | 2.5       |
| Pull to Lift Full Load *1                      | (N) [kgf] | 147 [15]   | 187 [19]  |
| Chain O'hauled to Lift Load One Meter          | (m)       | 33.8       | 42.8      |
| Load Chain Diameter (mm) x Chain Fall Lines    | (mm)      | 3.2 x 1    | 4.3 x 1   |
| Test Load                                      | (kg)      | 313        | 625       |
| Mass (Net Weight) *2                           | (kg)      | 2.4        | 4.5       |
| Shipping weight                                | (kg)      | 2.6        | 4.8       |
| Mass (Weight) for Additional One Meter of Lift | (kg/m)    | 0.4        | 0.9       |
| Dimensions<br>(mm)                             | a         | 88         | 103       |
|  | b         | 84         | 102       |
|  | C*3       | 217        | 260       |
|  | d*4       | 2100       | 2600      |
|  | e         | 37         | 44        |
|  | f         | 53         | 66        |
|  | g         | 21         | 24.5      |
|  | s         | 32         | 35.5      |
|  | t         | 11         | 12        |



\*1: Average pull to lift the rated load. \*2: The Mass (Net Weight) is for the standard lift.  
\*3: Head room \*4: Distance between the top hook and the lower end of the hand chain.

### Operating environmental conditions

|  |  |  |
|--|--|--|
| <b>Operating temperature range</b><br>-40°C to +60°C | <b>Operating humidity range</b><br>Use the hoist at under 100%RH.<br>This product cannot be used in water. | <b>Materials</b><br>Standard materials are used. <b>Special materials such as sparkless materials and asbestos are not used.</b><br>With regard to the environmental load substances, 6 substances defined in the RoHS directives are not contained in this product. |
|--|--|--|

