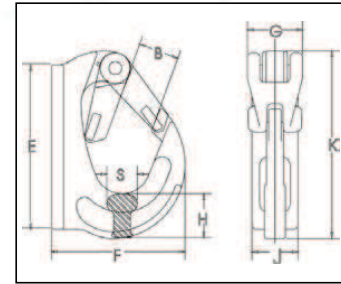




**BH-313
Weld-On
Hook**

- Wide range of sizes available: 1-10 metric ton capacity.
- Forged Alloy Steel.
- Designed for attachment to mobile lifting equipment to provide a pick point for easy sling attachment.
- Large weld pad.
- Heavy duty latch interlocks with the hook tip. Replacement latches available.
- Detailed installation and application instructions included with each hook.



BH-313 Weld-On Hooks

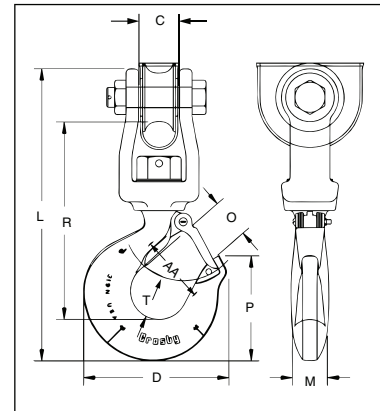
Working Load Limit (t)*	BH-313 Stock No.	Weight Each (kg)	Dimensions (mm)								Replacement Latch Stock No.
			B	E	F	G	H	J	K	S	
1	1029105	.52	23.1	97.0	71.0	36.1	26.9	25.9	107	18.0	1092104
2	1029114	.84	23.1	82.0	91.0	36.1	24.9	34.0	115	21.1	1092104
3	1029123	1.18	29.0	117	105	36.1	31.0	36.1	131	23.9	1092104
4	1029132	1.90	34.0	131	114	46.0	36.1	42.9	147	29.0	1092105
5	1029141	2.55	34.0	161	133	47.0	45.0	43.9	173	29.0	1092105
8	1029150	3.30	35.1	166	135	47.0	52.0	52.0	178	39.1	1092105
10	1029169	5.00	49.0	205	168	47.0	57.0	54.0	222	39.1	1092106

*Ultimate Load is 5 times the Working Load Limit.



**S-3319
Utility Swivel
Hook**

- Capacities of 1.63, 2.50 and 4.50 metric tons
- Synthetic Rope sizes: 14mm - 27mm
- Hook is forged Alloy Steel - Quenched and Tempered.
- Can be proof tested to 2 times the Working Load Limit.
- Designed for utility applications using synthetic rope.
- Design of hook provides needed overhaul weight.
- Utilizes spool & shield designed to:
 - Protect rope
 - Keep rope positioned correctly on spool.
 - Provide wider rope bearing surface resulting in an increased area for load distribution and reduces rope abrasion.
- Low profile hook tip designed to utilize Crosby integrated latch (S-4320), that meets the world-class standard for lifting.



Suitable for infrequent, non-continuous rotation under load. Use in corrosive environment requires shank and nut inspection in accordance with ASME B30.10-1.10.4(b)(5)(c)2009.



S-3319 Utility Swivel Hook

Working Load Limit (t)*	S-3319 Stock No.	Weight Each (kg)	Hook ID Code	Synthetic Rope Size (mm)	Dimensions (mm)									Replacement Latch Kit Stock No.
					C	D	L	M	O	P	R	T	AA**	
1.63	1002054	1.90	H	14 - 16	27.7	101	222	23.9	29.5	70.6	151	29.5	2.00	1096468
2.50	1002063	3.62	I	19 - 21	33.2	123	268	30.2	35.8	88.1	179	38.9	2.50	1096515
4.50	1002072	6.80	J	22 - 27	45.2	160	324	36.6	45.2	117	221	49.3	3.00	1096562

*Ultimate Load is 5 times the Working Load Limit. ** Deformation Indicators.