



Let's grow together



4.0-small 5.0t (Diesel,LPG)
R series Internal Combustion Forklift

EP EQUIPMENT CO.,LTD.
www.ep-ep.com



R series 4.0-5.0t diesel&lpq forklift specification:

General	1 Manufacturer		CPQD40				CPQD45				CPQD50						
	2 Basic model		RW19	RW35	RG24	RW17-Y	RW19	RW35	RG24	RW17-Y	RXW19	RXW35	RXG24	RXW17-Y			
Characteristics & Dimensions	3 Type		Diesel				LPG				Diesel						
	4 Power type		Diesel				LPG				Diesel						
	5 Rated capacity		4000				4000				4500						
	6 Load center		500				500				500						
	7 Lifting height		3000				3000				3000						
	8 Free lifting height		160				160				160						
	9 Fork size		Lx WxT		1070x150x50		1070x150x50		1070x150x50		1070x150x50		1070x150x55		1070x150x55		
	10 Mast tilt range		F/R		6/12		6/12		6/12		6/12		6/12		6/12		
	11 Fork overhang(wheel center to fork face)		mm		550		550		550		555		555		555		
	12 Rear overhang		mm		520		520		560		560		560		560		
	13 Overall Dimensions		length (to fork face)		3070		3070		3110		3070		3215		3215		
			Overall width		1395		1395		1490		1395		1490		1490		
			Mast lowered height		2245		2245		2245		2245		2245		2395		
			Mast extended height		4170		4175		4170		4170		4320		4320		
			Overhead guard height		2250		2250		2250		2250		2250		2250		
	18 Turning radius(outside)		mm		2690		2690		2720		2690		2810		2810		
	Performance	19 Min. right angle stacking aisle width (Add load length and clearance)		mm		3240		3240		3270		3240		3365		3365	
		20 Travel(No load)		km/h		0-26		0-24		0-26		0-26		0-26		0-26	
21 speed		Lifting(Full load)		460		430		440		460		430		380			
22 Lowering(Full load)		mm/s		500		500		500		500		500		500			
23 Max. Drawbar pull		Full load		35900		35000		37200		39300		35900		35000			
24 Max. Gradeability		Full load		20		20		20		20		20		20			
25 Tyre		Front		8.25-15-14PR		8.25-15-14PR		300-15-14PR		300-15-14PR		300-15-14PR		300-15-14PR			
		Rear		7.00-12-12PR		7.00-12-12PR		7.00-12-12PR		7.00-12-12PR		7.00-12-12PR		7.00-12-12PR			
27 Tread		Front		1160		1130		1190		1160		1130		1190			
		Rear		1130		1130		1130		1130		1130		1130			
28 wheelbase		mm		2000		2000		2000		2000		2100		2100			
30 Ground clearance		lowest		170		170		170		170		170		170			
		wheelbase center		230		230		230		230		230		230			
32 Self weight		kg		6300		6300		6500		6500		6750		6600			
33 Weight distribution		Full load (front/rear)		9000/1300		9000/1300		9625/1375		9000/1300		10125/1475		10125/1475			
		No load (front/rear)		2800/3500		2800/3500		2820/3680		2800/3500		2820/3780		2820/3780			
35 Battery		Voltage/Capacity(20HR)		24/70/20h		12/70/20h		24/70/20h		12/70/20h		24/70/20h		12/70/20h			
36 Model		TD42		1104		4108		GM4.3L		TD42		1104		4108			
37 Manufacturer		NISSAN		PERKINS		LUOTUO		GM		NISSAN		PERKINS		LUOTUO			
38 Rated output/r.p.m.		kw		62.5/2300		56/2200		57/2200		74/2300		62.5/2300		56/2200			
39 Rated torque/r.p.m.		N.m		274.4/1600		265/1700		285/1400		301/1600		274.4/1600		265/1700			
40 Engine		No. of cylinder		4		4		4		4		4		4			
		BorexStroke		95x115		105x127		108x125		95x115		105x127		108x125			
42 Emission STD		Stage 2/Tier 2		Stage 3		Stage 2/Tier 2		Stage 3		Stage 2/Tier 2		Stage 3		Stage 2/Tier 2			
43 Displacement		cc		3300		4410		4580		3300		4410		4580			
44 Fuel tank capacity		L		80		80		80		80		80		80			
45 Transmissions		Manufacture		CHINA		CHINA		CHINA		CHINA		CHINA		CHINA			
		Type		Powershift		Powershift		Powershift		Powershift		Powershift		Powershift			
47 Stage FWD/RVS				2/1		2/1		2/1		2/1		2/1		2/1			
48 Operating pressure for attachment		Mpa		18		18		18		18		18		18			

1. Special lifting height available(2-stage mast:2.5m,2.7m,3.0m,3.3m,3.6m,4m,4.5m,3-stage mast:4.3m,4.5m,4.8m,5m,5.5m,6m)
 2. Attachment available
 3. The specification in the table are for standard models only.For further information please contact us
 4. Specification are subject to change without notice

4.0-5.0t R series mast:(pneumatic)

Type	Model	Max.fork height	Overall height						Free lift				Front Overhang		Tilt range	
			Lowered		Extended				Without backrest		With backrest		4/4.5t	5t	4/4.5t	5t
			4/4.5t	5t	Without backrest		With backrest		4/4.5t	5t	4/4.5t	5t				
Wide view mast	R45/50M250	2500	1995	1995	3330	3330	3670	3865	160	160	160	160	550	555	6	12
	R45/50M270	2700	2095	2095	3530	3530	3870	4065	160	160	160	160	550	555	6	12
	R45/50M300	3000	2245	2245	3830	3830	4170	4365	160	160	160	160	550	555	6	12
	R45/50M330	3300	2395	2395	4130	4130	4470	4665	160	160	160	160	550	555	6	12
	R45/50M350	3500	2495	2495	4330	4330	4670	4865	160	160	160	160	550	555	6	12
	R45/50M360	3600	2545	2545	4430	4430	4770	4965	160	160	160	160	550	555	6	12
	R45/50M400	4000	2795	2795	4830	4830	5170	5365	160	160	160	160	550	555	6	12
	R45/50M430	4300	2960	2960	5130	5130	5470	5665	160	160	160	160	550	555	6	6
	R45/50M450	4500	3070	3070	5330	5330	5670	5865	160	160	160	160	550	555	6	6
Wide view full free 2-stage mast	R45/50M480	4800	3235	3235	5630	5630	5970	6165	160	160	160	160	550	555	6	6
	R45/50M500	5000	3345	3345	5830	5830	6170	6365	160	160	160	160	550	555	6	6
	R45/50U250	2500	1976	1976	3365	3365	3670	3865	1114	1114	809	610	557	562	6	12
	R45/50U275	2750	2100	2100	3615	3615	3920	4115	1238	1238	933	735	557	562	6	12
Wide view full free 3-stage mast	R45/50U300	3000	2226	2226	3865	3865	4170	4365	1364	1364	1055	860	557	562	6	12
	R45/50U330	3300	2376	2376	4165	4165	4470	4665	1514	1514	1205	1010	557	562	6	12
	R45/50U360	3600	2526	2526	4465	4465	4770	4965	1664	1664	1359	1160	557	562	6	12
	R45/50N400	4000	2080	2080	4850	4860	5170	5365	1229	1222	912	715	557	562	6	12
	R45/50N430	4300	2205	2205	5155	5160	5470	5665	1329	1322	1012	815	603	615	6	6
	R45/50N450	4500	2270	2270	5365	5370	5685	5880	1395	1390	1080	883	603	615	6	6
Wide view full free 3-stage mast	R45/50N480	4800	2365	2365	5650	5660	5970	6170	1489	1482	1172	975	603	615	6	6
	R45/50N500	5000	2435	2435	5855	5860	6170	6370	1559	1552	1242	1045	603	615	6	6
	R45/50N550	5500	2600	2600	6355	6360	6670	6870	1724	1718	1408	1210	603	615	3	6
R45/50N600	6000	2815	2815	6865	6870	7180	7380	1939	1932	1622	1425	603	615	3	6	

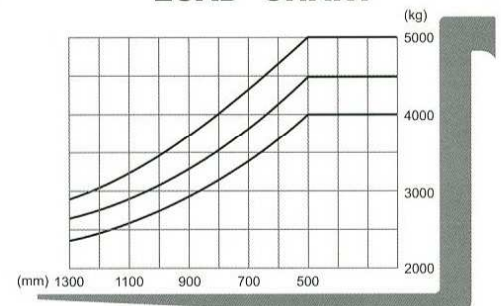
Options

- 2.0-5.0m duplex mast
- 2.5-5.0m full free duplex mast
- 4.3-6.5m triplex mast
- Special carriage and backrest
- Other dimension forks
- Dual drive wheel with fender
- Solid tyre
- Colored tyre(white\green)
- Cabin
- Heater and air condition
- Fire extinguisher
- Semi-suspension seat or full-suspension seat
- Dual air cleaner or special air cleaner rear working light
- Customer painting

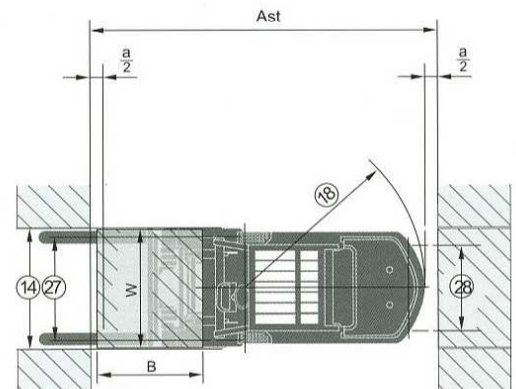
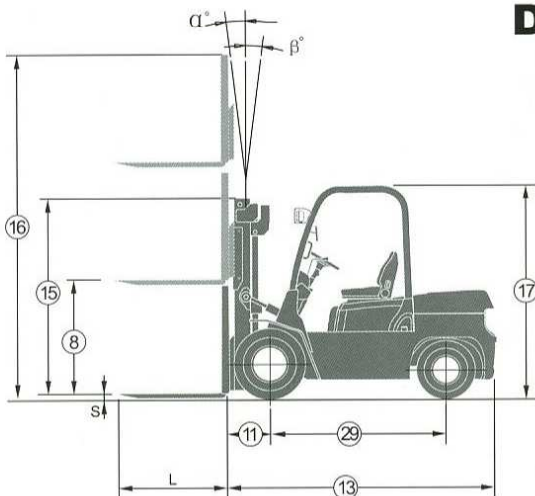
- Auxiliary hydraulic valve modules
- High-mounted exhaust system
- Middle-mounted exhaust system
- Anti-fire spark exhaust device
- Diesel exhaust gas purifier
- Radiator screen
- Sideshifter
- Integrated sideshifter
- Other attachment



LOAD CHART



DIMENSIONS



$a = 200 \text{ mm}$ safety clearance

$$AST = a + (11) + (18) + \sqrt{W^2 + (B/2)^2}$$